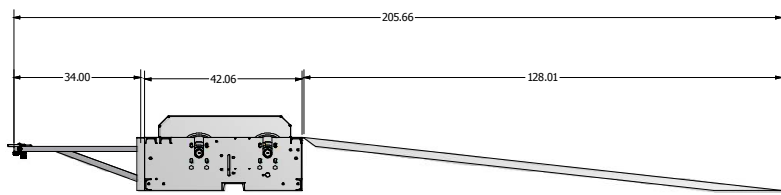
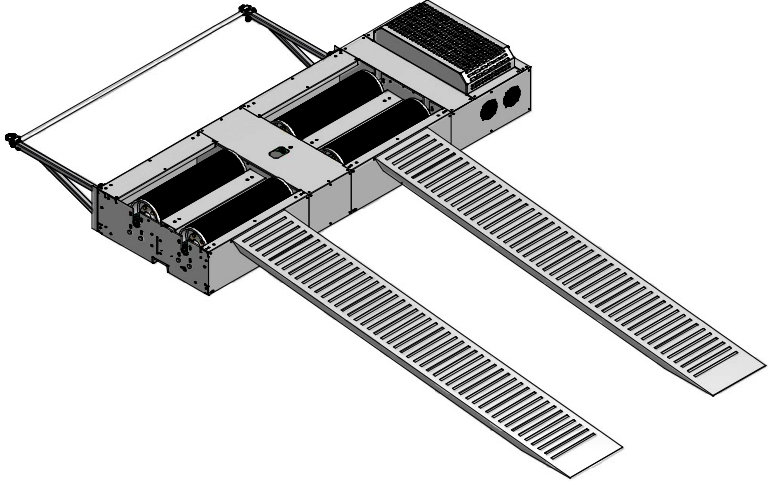
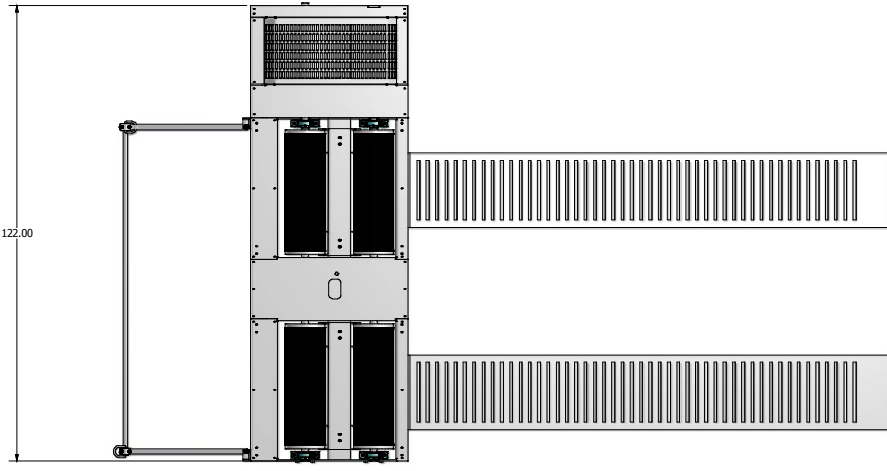
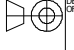


8 7 6 5 4 3 2 1



8 7 6 5 4 3 2 1

<p>CONFIDENTIAL-PROPRIETARY THIS DRAWING IS THE PROPERTY OF DYNOCOM INDUSTRIES, AND IS SUBJECT TO RETURN UPON REQUEST. THE DRAWING INCLUDES CONFIDENTIAL AND PROPRIETARY INFORMATION OF DYNOCOM INDUSTRIES, AND IS LOANED IN CONFIDENCE WITH THE UNDERSTANDING THAT IT IS NOT TO BE COPIED OR REPRODUCED WITHOUT EXPRESS WRITTEN PERMISSION, AND THAT NEITHER THE DRAWINGS NOR INFORMATION HEREIN BE USED ADVERSELY TO DYNOCOM INDUSTRIES.</p>	<p>TOLERANCES (UNLESS NOTED OTHERWISE) .X ± .040" .XX ± .030" .XXX ± .020" FRACTIONAL ± .012" ANGULAR ± .12° BREAK SHARP CORNERS: .01" X 45° SURFACE FINISH: 3.2</p>	<p>THIRD ANGLE PROJECTION</p> 	<p>DYNOCOM INDUSTRIES INC. Automotive Software & Hardware Data Systems</p>
	<p>DATE: 6/10/2013 CHECKED: [Signature] DESIGNER: Rolando</p>	<p>DESCRIPTION OF PART: 6000 2WD Layout</p>	<p>MODEL NUMBER: 6000 Series SCALE: [Blank]</p>