

NOTES:

1. ALL WORK SHALL BE IN ACCORDANCE WITH LOCAL, STATE, AND/OR ANY OTHER GOVERNING CODE REQUIREMENTS
2. VERIFY ALL UNDERGROUND UTILITIES PRIOR TO EXCAVATION

STRUCTURAL NOTES:

1. CODES AND STANDARDS

THE PROJECT WAS DESIGNED WITH THE STANDARD BUILDING CODE 2001 EDITION

2. FOUNDATION

ALL SITE PREPARATION AND EXCAVATION WORK IS TO BE PERFORMED IN STRICT ACCORDANCE WITH THE RECOMMENDATIONS ON SOILS AND FOUNDATIONS INVESTIGATION PREPARED BY AN APPROVED TESTING LABORATORY PRIOR TO FOUNDATION WORK

BOTTOM OF FOOTINGS TO BEAR ON SOIL CAPABLE OF SAFELY SUPPORTING 2500 PSF.

SOILS SUPPORTING ALL FOOTINGS MUST BE INSPECTED AND APPROVED BY A REGISTERED SOILS ENGINEER BEFORE COMMENCING WORK. APPROVAL IN WRITING MUST INDICATE THE SOIL IS ADEQUATE TO SAFELY SUSTAIN SPECIFIED SOIL BEARING PRESSURE.

3. CONCRETE

ALL CONCRETE SHALL BE READY MIX, HAVE A MINIMUM COMPRESSIVE STRENGTH OF 2800 PSI AT 28 DAYS AND HAVE A MINIMUM OF 517 LBS OF CEMENT PRE CUBIC YARD.

ALL CONCRETE WORK SHALL COMPLY WITH THE REQUIREMENTS OF THE ACI BUILDING CODE (ACI 318/LATEST EDITION), THE ACI DETAILING MANUAL (ACI 315/LATEST EDITION), AND THE SPECIFICATIONS FOR STRUCTURAL CONCRETE FOR BUILDINGS (ACI 301/LATEST EDITION).

ALL REINFORCING STEEL SHALL BE MANUFACTURED FROM HIGH STRENGTH BILLET STEEL CONFORMING TO ASTM DESIGNATION A 615 GRADE 60. SPLICES TO LAP MIN 25". CONCRETE COVER MIN 3" AGAINST EARTH @ SLAB.

4. MASONRY

THE PIT WALLS MAY BE CONSTRUCTED FROM MASONRY BRICK. ENSURE THE WALLS WILL STILL MEET CODES AND STRUCTURAL STANDARDS.

MASONRY UNITS SHALL BE ASTM C 90 GRADE N. ALL MORTAR SHALL BE TYPE S OR TYPE M IN ACCORDANCE WITH ASTM SPECIFICATION C270.

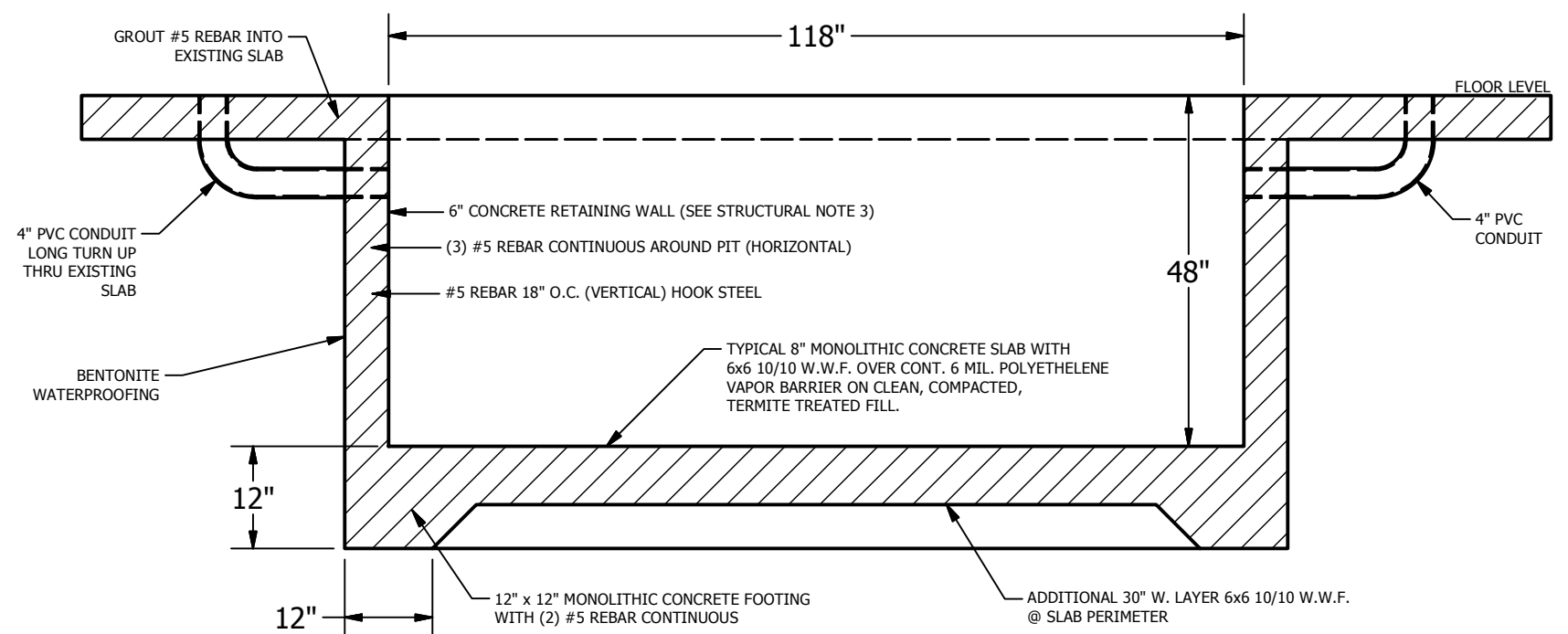
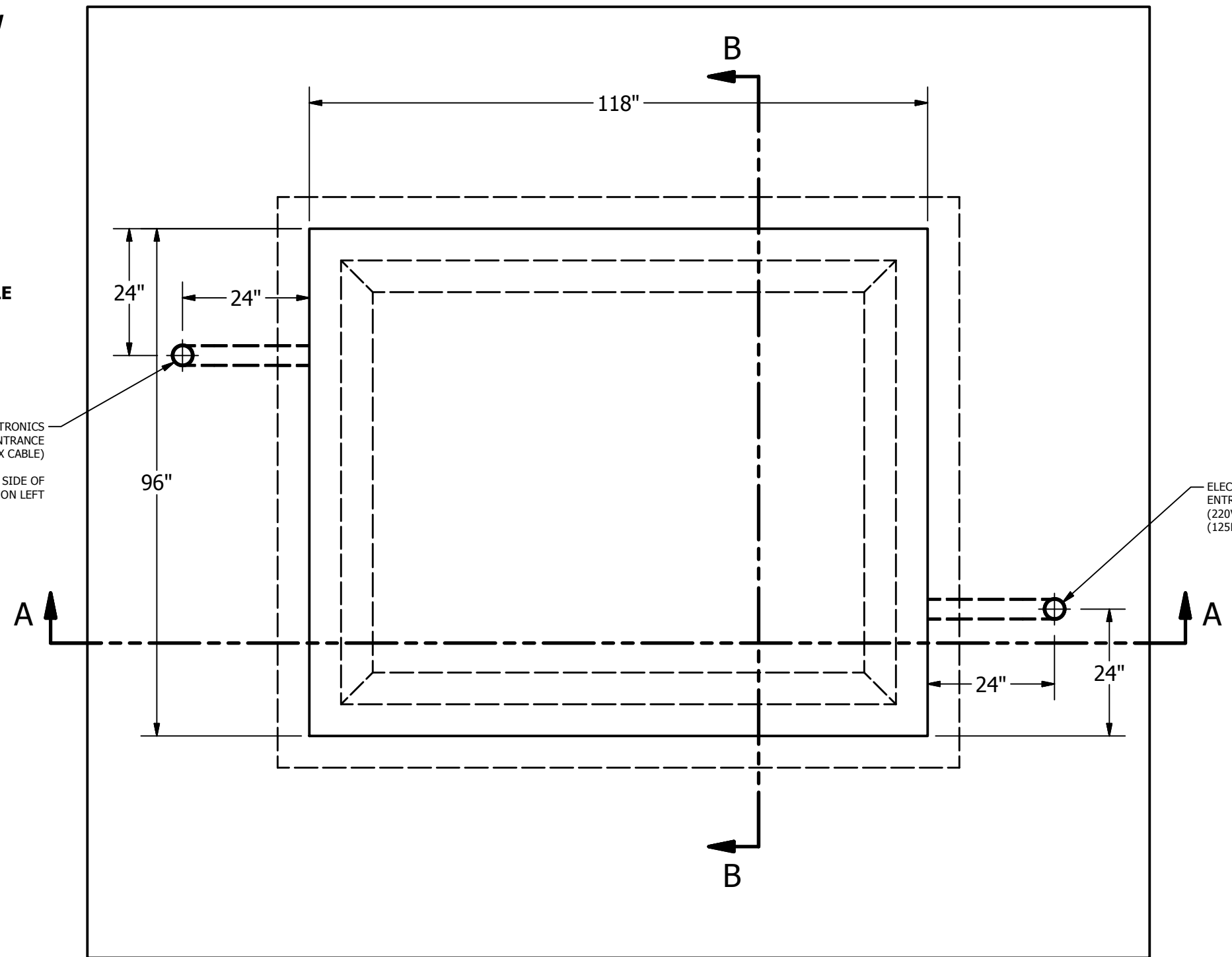
PROVIDE HOT DIPPED GALVANIZED TRUSS TYPE HORIZONTAL REINFORCEMENT (MIN 9 GA.) AT 16" ON CENTER VERTICAL IN ALL MASONRY WALLS. PROVIDE DOVE TAIL SLOT ANCHORS AT CONCRETE COLUMNS.

TOP VIEW

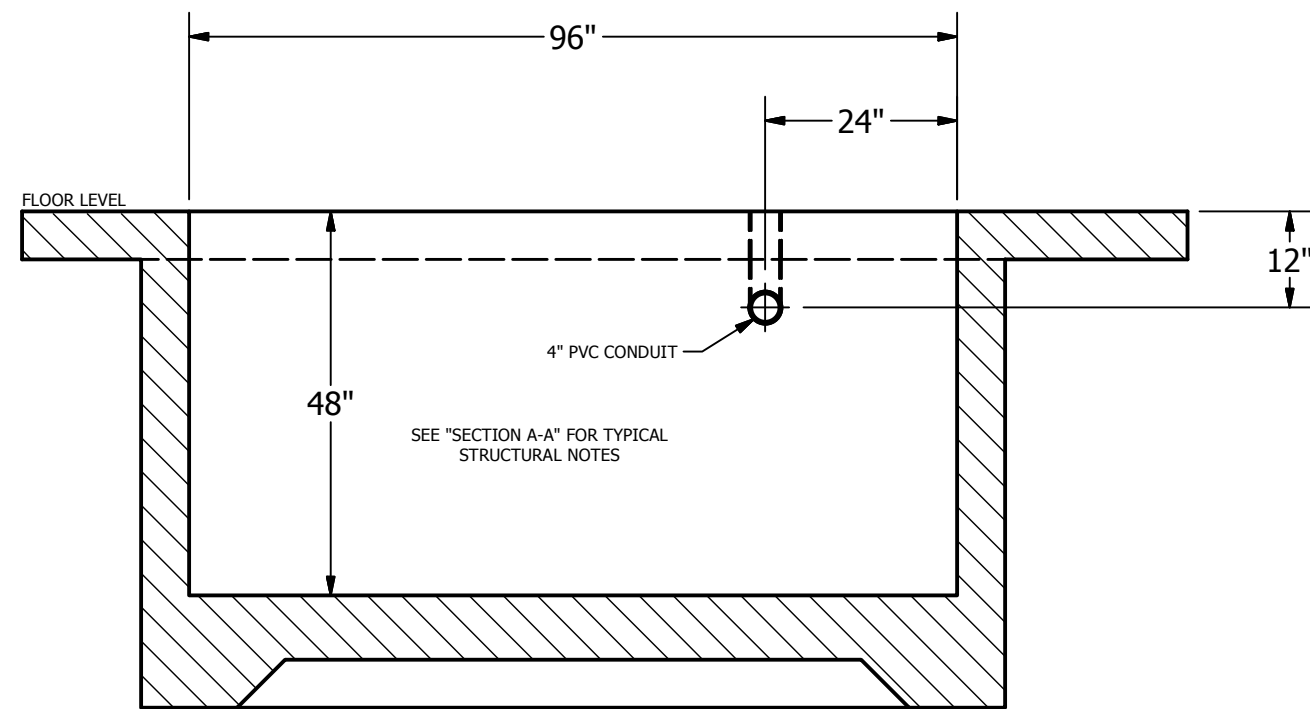
FRONT OF VEHICLE

DYNO ELECTRONICS ENTRANCE (JBOX CABLE) DRIVERS SIDE OF VEHICLE ON LEFT

ELECTRICAL/AIR ENTRANCE (220VAC 30AMPS) (125PSI AIR)



**SECTION A-A
FRONT/REAR VIEW**



**SECTION B-B
SIDE VIEW**

<p>CONFIDENTIAL-PROPRIETARY THIS DRAWING IS THE PROPERTY OF DYNOCOM INDUSTRIES, AND IS SUBJECT TO RETURN UPON REQUEST. THE DRAWING INCLUDES CONFIDENTIAL AND PROPRIETARY INFORMATION OF DYNOCOM INDUSTRIES, AND IS LOANED IN CONFIDENCE WITH THE UNDERSTANDING THAT IT IS NOT TO BE COPIED OR REPRODUCED WITHOUT EXPRESS WRITTEN PERMISSION, AND THAT NEITHER THE DRAWINGS NOR INFORMATION HEREIN BE USED ADVERSLY TO DYNOCOM INDUSTRIES.</p>	<p>TOLERANCES (UNLESS NOTED OTHERWISE) .X ± .040" .XX ± .020" .XXX ± .005" FRACTIONAL ± 1/32" ANGULAR ± 1/2"</p>	<p>THIRD ANGLE PROJECTION</p>	<p>DYNOCOM INDUSTRIES INC. Automotive Software & Hardware Data Systems</p>
	<p>DATE</p>	<p>MODEL NUMBER DC-30000</p>	<p>NEXT ASSEMBLY</p>
	<p>CHECKED</p>	<p>SCALE</p>	<p>DRAWING NUMBER DC-30000-PIT</p>
	<p>DESIGNER Kyle</p>	<p>REVISION LETTER B</p>	